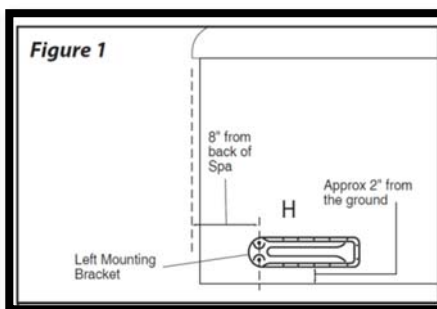
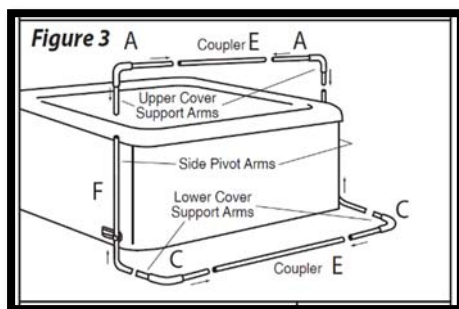


CoverMate II



Includes

- Black powder-coated, rust-free aluminum tubing
- Euro-styled composite, non-corrosive mounting brackets (same as CoverMate I)
- Foam grips for comfortable handling
- TowelMate for hanging up to three towels
- **Optional Understyle Bracket** with 7" kickplate that slides under the spa, does not need to be mounted to the side of the spa



- | |
|---|
| ○ Requires 18 inches of clearance behind the spa |
| ○ Requires 4 to 5 inches of clearance on each side of the spa |
| ○ Fits virtually any spa from 6 feet to 8 feet in length and width and 40" in height |
| ○ Bracket must be mounted at least 2" from bottom of spa, 50% of cover will be above the spa |

Dimensions

- ✓ Plastic Bracket: 14 ¼" L x 4 ¼" W - same as CoverMate I
- ✓ Understyle Bracket: 7 ½" L x 9 ½" W with 7" kick plate - protruding bracket is 3" H x 2 ½" L
- ✓ Support Arm Upper: 20" L x 40" W
- ✓ Support Arm Lower: 10" L x 40" W
- ✓ Pivot Arm: 41" L x 14 ½" W
- ✓ Coupler: 42" L x 1 ¼" diameter
- ✓ Foam Grip Upper: 8"
- ✓ Foam Grip Lower: 10"