

SAND FILTERS

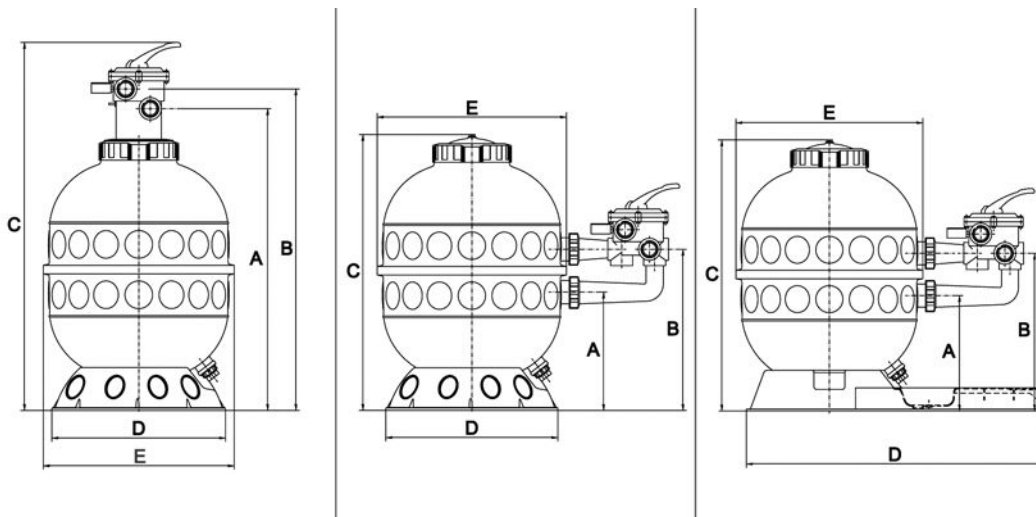
GRANADA® SAND FILTER UNITS & GRANADA® SAND FILTERS

Granada® sand filter is injected in copolymeric material and velded by thermo-fusion.

Test pressure is 2,5 bar (kg/cm²).

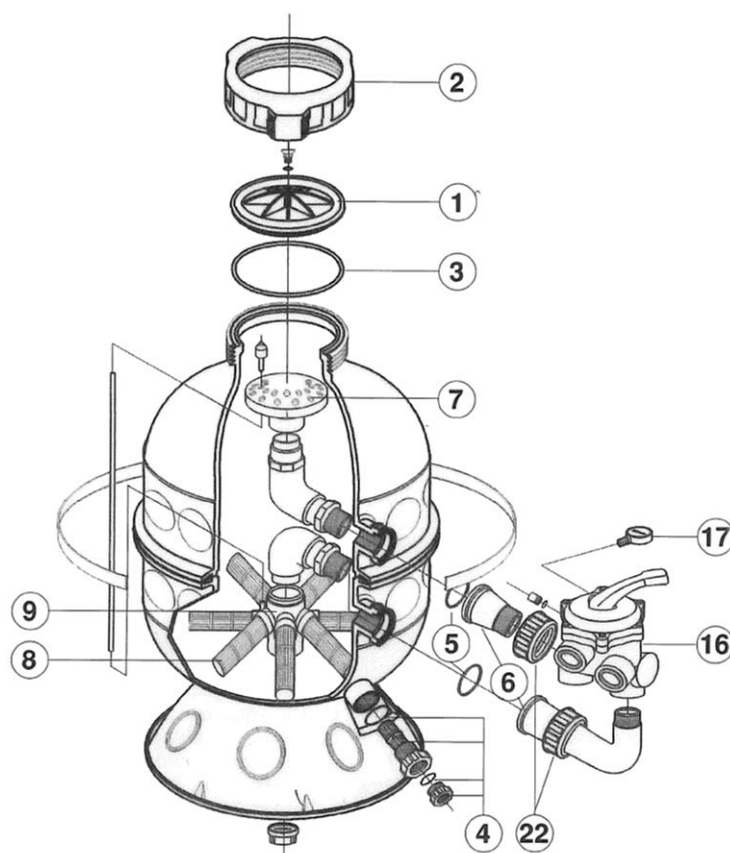
Working pressure is max 1,6 bar. (Kg/cm²).

Granada® sand filter units are mounted with an Ondina pump.



Specification/D in mm	400	500	600	400 w/ pump	500 w/ pump	600 w/ pump
Filter area.	0,12m ²	0,2m ²	0,3m ²	0,12m ²	0,2m ²	0,3m ²
Water flow at 40/50m ³ /h/m ²	4,8 / 6m ³	7,6 / 9,5m ³	11,2 / 14m ³	x	x	x
Volt at 50-60 Hz.	x	x	x	230	230	230
Water flow with pump 0,25kW.	x	x	x	5,5m ³	x	x
Water flow with pump 0,37kW.	x	x	x	x	8,5m ³	x
Water flow with pump 0,55kW.	x	x	x	x	x	12m ³
Sand in Kg.	50	100	150	50	100	150
6-way valve connection.	1½"	1½"	1½"	1½"	1½"	1½"
Dimensiones w/ top valve. In mm.	400	500	600	400 w/ pump	500 w/ pump	600 w/ pump
A	720	877	960	x	x	x
B	780	937	1020	x	x	x
C	922	1079	1161	x	x	x
D	503	503	503	x	x	x
E	453	553	653	x	x	x
Dimensiones w/ side valve. In mm.	400	500	600	400 w/ pump	500 w/ pump	600 w/ pump
A	266	345	391	251	331	376
B	391	470	516	376	456	501
C	651	808	891	636	795	875
D	503	503	503	824	824	824
E	453	553	653	453	553	653

GRANADA® SAND FILTERS



Granada® sand filter spare parts for D 400-500-600 models

Number part	Spare part number
1. Lid	49-211001
2. Retainer/nut	49-211002
3. O-ring	49-211003
4. Drain system	49-211004
5. O-ring	See nr 6
6. Adapter set 1 1/2"	49-200158
7. Top diffuser	49-208550
8. Lateral	49-200110
9. Lateral center	49-220013
16. Multivalve - Side	43-130003
16 A. Multivalve - Top	43-130040
17. Manometer 1/4"	49-000076
22. Retainer/nut	See nr 6